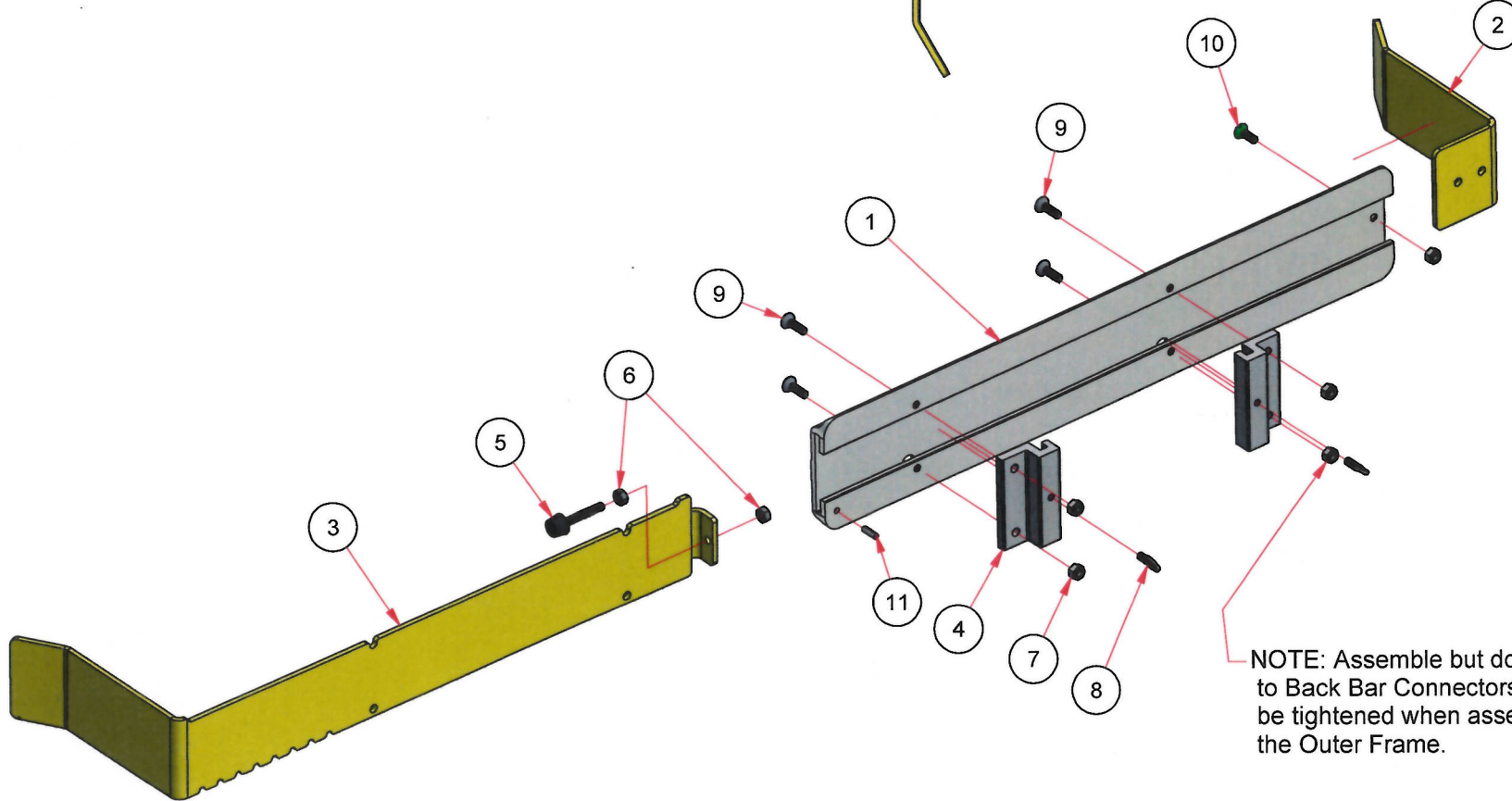


PARTS LIST			
ITEM	QTY	PART No.	DESCRIPTION
1	1		BACK BAR LV-7
2	1	385333B	SMALL GUIDE PF LV-7
3	1		SLIDING GUIDE PF LV-7
4	2	180136A	BACKBAR CONNECTOR LV-7
5	1	040941A	RUBBER STOP BOLT
6	2	050700A	NUT 1/4-20 HEX ZINC
7	5	050610A	NUT 1/4-20 RING LOCK ZINC
8	2	050583A	SCREW 1/4-20NC THUMB
9	4	050645A	BOLT 1/4-20 x 7/8 CS HEX
10	1	050560A	SCREW CS FLAT SLOT 1/4-20 x 3/4
11	1	Roll Pin	ROLL PIN 3/16\"/>



NOTE: Assemble but do not tighten to Back Bar Connectors. They will be tightened when assembled to the Outer Frame.

B	Prototype	
LTR	REVISION DESCRIPTION	DATE

UNLESS OTHERWISE SPECIFIED:
 DIMENSIONS ARE IN INCHES
 TOLERANCES: ± 1/32, ANG. ± 1 Deg., HOLES ± .005
 DO NOT SCALE DRAWING, IF IN DOUBT ASK

ITEM DESCRIPTION	DATE: 10/30/19	DRN BY: Bob
389336B Locking Back Bar Prototype	DATE:	APP BY:
LP INTERNATIONAL INC.		ITEM NUMBER: 389336B