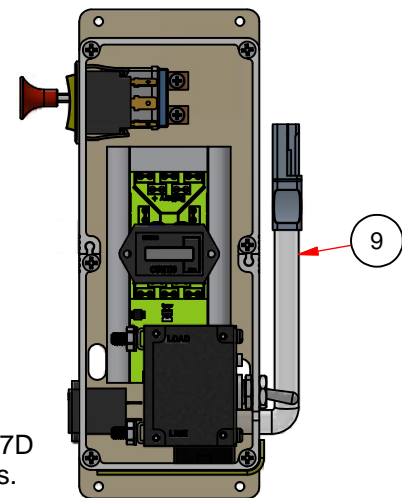


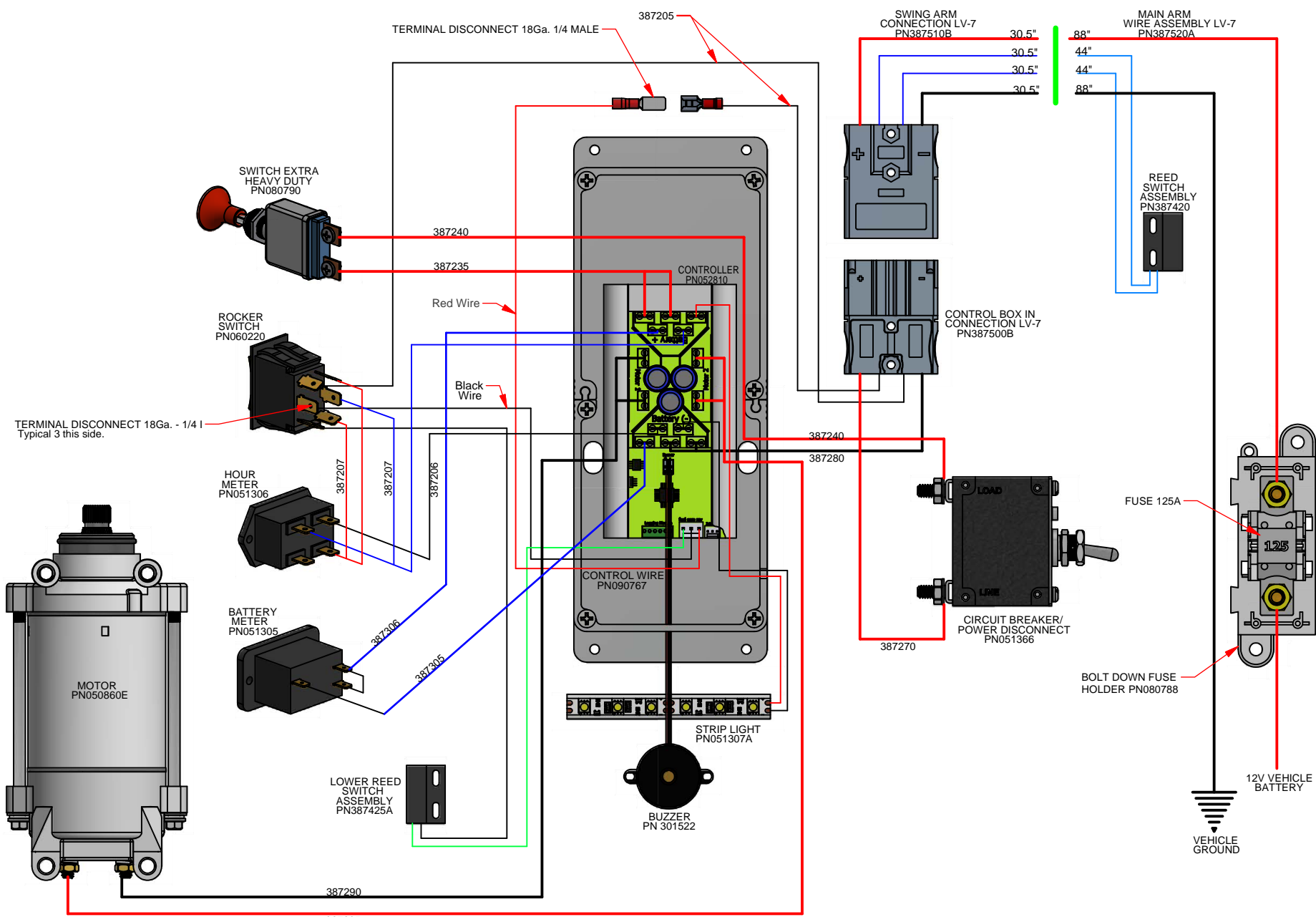
PARTS LIST				
ITEM	QTY	PART No.	DESCRIPTION	
1	1	180160B	CONTROL BOX REAR PLATE LV-7	
2	1	051568A	TAPE HEAT TRANSFER 4.92"	
3	1	052810A	SOLID STATE CONTROLLER	
4	1	180150A	CONTROL BOX TOP HALF LV-7	
5	1	060220A	SWITCH ROCKER DPDT 6 TERMINAL	
6	1	080790A	SWITCH EXTRA HEAVY DUTY	
7	1	180140D	CONTROL BOX BOTTOM LV-7	
8	1	051366A	CIRCUIT BREAKER TOGGLE	
9	1	387500C	CONTROL BOX IN CONNECTION LV-7	
10	1	301522A	BUZZER	
11	1	180170B	CONTROL BOX FRONT COVER LV-7	
12	12	050578A	SCREW THRD CUT 10-24x5/8"CS TYPE F	
13	1	090767B	CONTROL WIRE LV-7	
14	1	387235B	WIRE CONTROLLER-SWITCH LV-7	
15	1	387240A	WIRE CIRCUIT BREAKER-SWITCH	
16	1	387290B	WIRE ASSEMBLY MOTOR BLACK LV-7	
17	1	387295B	WIRE ASSEMBLY MOTOR RED LV-7	
18	1	051305A	BATTERY METER	
19	1	387306A	WIRE ASSEMBLY BATTERY METER	
20	1	387305A	WIRE 18Ga. 5 DC-DC	
21	1	387425B	LOWER REED SWITCH WIRE ASSY	
22	1	051307A	LED STRIP	
23	1	051306A	HOUR METER LV-7	
24	1	387206A	WIRE 26Ga. DC-DC 6"	
25	2	387207A	WIRE 26Ga. DC-DC-DC 6" V	

NOTE: Front Cover PN180170B not shown for clarity.
 Item 23 Hour Meter comes with its own screws and nuts.
 Wires not shown. Refer to PN387907D Wiring drawing for connection details.



D	ECN 1476-12		UNLESS OTHERWISE SPECIFIED: DIMENSIONS ARE IN INCHES TOLERANCES: ± 1/32, ANG. ± 1 Deg., HOLES ± .005 DO NOT SCALE DRAWING, IF IN DOUBT ASK
LTR	REVISION DESCRIPTION	DATE	

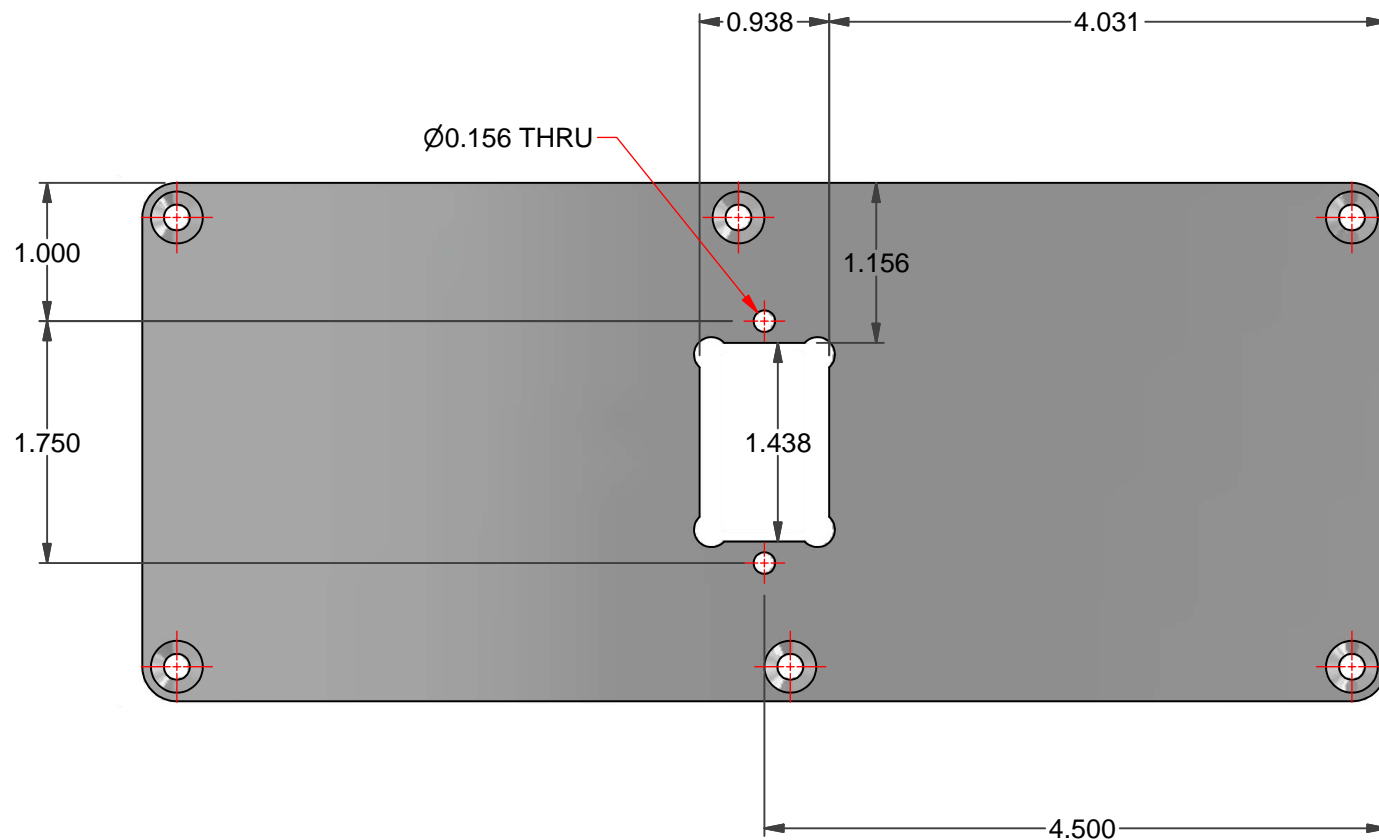
ITEM DESCRIPTION	DATE: 12/12/19	DRN BY: Bob
CONTROL BOX ASSEMBLY LV-7	DATE:	APP BY:
LP INTERNATIONAL INC.		ITEM NUMBER:
		387907D



ITEM DESCRIPTION CONTROL BOX WIRING LV-7	DATE: 12/12/19	DRN BY: Bob
	DATE:	APP BY:

ITEM NUMBER:
387907D Wiring

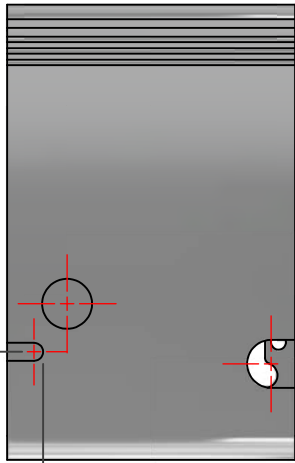
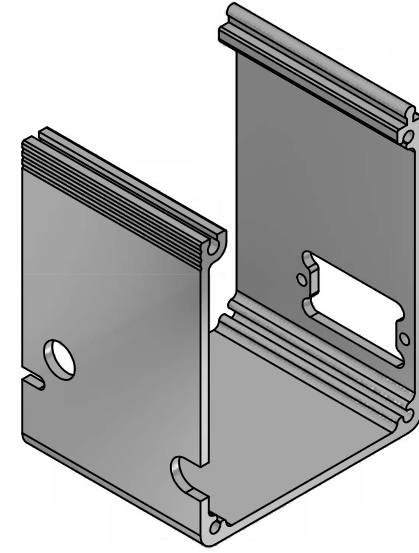
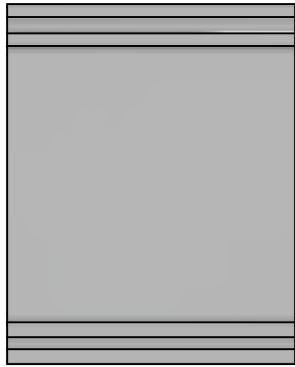
D	ECN 1476-12		UNLESS OTHERWISE SPECIFIED: DIMENSIONS ARE IN INCHES TOLERANCES: ± 1/32, ANG. ± 1 Deg., HOLES ± .005 DO NOT SCALE DRAWING, IF IN DOUBT ASK
LTR	REVISION DESCRIPTION	DATE	



ITEM DESCRIPTION CONTROL BOX FRONT COVER LV-7 CUTOUT DETAIL	DATE: 12/12/19	DRN BY: Bob
	DATE:	APP BY:

B	UPGRADE		UNLESS OTHERWISE SPECIFIED: DIMENSIONS ARE IN INCHES TOLERANCES: ± 1/32, ANG. ± 1 Deg., HOLES ± .005 DO NOT SCALE DRAWING, IF IN DOUBT ASK
LTR	REVISION DESCRIPTION	DATE	

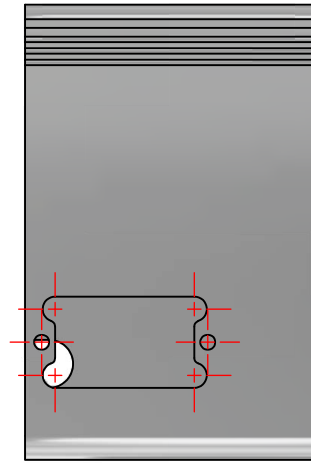
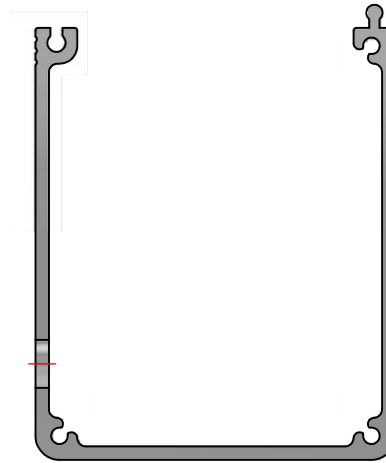
LP INTERNATIONAL INC.	ITEM NUMBER: 180170B
-----------------------	-------------------------



.188

1.125

.375



NOTE: Remove sharp edges.

055090A	CONTROL BOX EXTRUSION	.0762m
COMPONENT No.	COMPONENT DESCRIPTION	QUANTITY
ITEM DESCRIPTION		DATE:
CONTROL BOX BOTTOM LV-7		12/12/19
SLOT DETAIL		DRN BY: Bob
		APP BY:

D	UPGRADE		UNLESS OTHERWISE SPECIFIED: DIMENSIONS ARE IN INCHES TOLERANCES: ± 1/32, ANG. ± 1 Deg., HOLES ± .005 DO NOT SCALE DRAWING, IF IN DOUBT ASK
LTR	REVISION DESCRIPTION	DATE	

LP INTERNATIONAL INC.	ITEM NUMBER
	180140D